

TITANIUM HD

4-24x50

Excellent in low light. Easy change turrets



Thank you for considering this precision optical equipment.

Delta Optical spółka z ograniczoną odpowiedzialnością sp.k.
Nowe Osiny, ul. Piękna 1, 05-300 Mińsk Mazowiecki, Poland
TEL +48 25 786 0520 | FAX +48 25 759 2995
BetterForever@deltaoptical.eu | DeltaOptical.eu



THE AIM IS OPTICAL PERFECTION

TITANIUM HD
4-24x50 SFP

with 4A SB MOA: SKU DO-2462
 with 4A SB MRAD: SKU DO-2463
 with Di MD MOA: SKU DO-2464
 with Di MD MRAD: SKU DO-2465

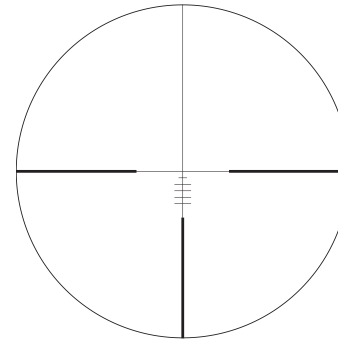
Parallax adjust
 10m to infinity

Excellent
 in low light

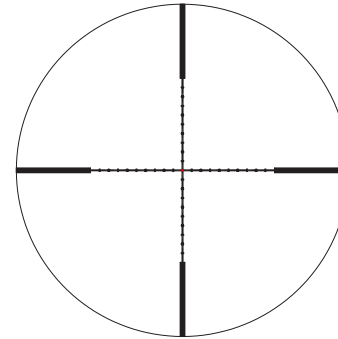
Easy change turrets.
 Capped and Exposed
 included in box.



4A SB



Di MD



Both reticles available as MOA and
 MRAD, each with illuminated dot



Turrets	Capped + Exposed
Magnification Range	4x – 24x
Objective Diameter	50mm
Field of View @ 100m	9.3m – 1.5m
Exit Pupil Diameter	7.6 – 2.1mm
Eye Relief	80 – 98mm
Water Proof (N2)	0.3kg/cm ²
Reticle Position	2nd focal plane
Illumination	Dot
Per Click	1/4MOA 0.1mrad
Elev Adj Range	100MOA 34mrad
Wind Adj Range	100MOA 34mrad
Zero Stop	Yes
Parallax Adjustment	10m(yd) – ∞
Diopter Range	-3D/+2D
Tube Diameter	30mm
Length	365mm
Weight	682g*
Warranty	10 years

*With exposed turrets, weight 706g



THE AIM IS OPTICAL PERFECTION

TITANIUM HD
4-24x50 SFP

With easy change turrets

2 Turrets, 3 Setups



Capped, with zero-stop ring



Exposed, with zero-stop ring



Exposed, with turret rotation ring

For MOA reticles, MOA turrets supplied



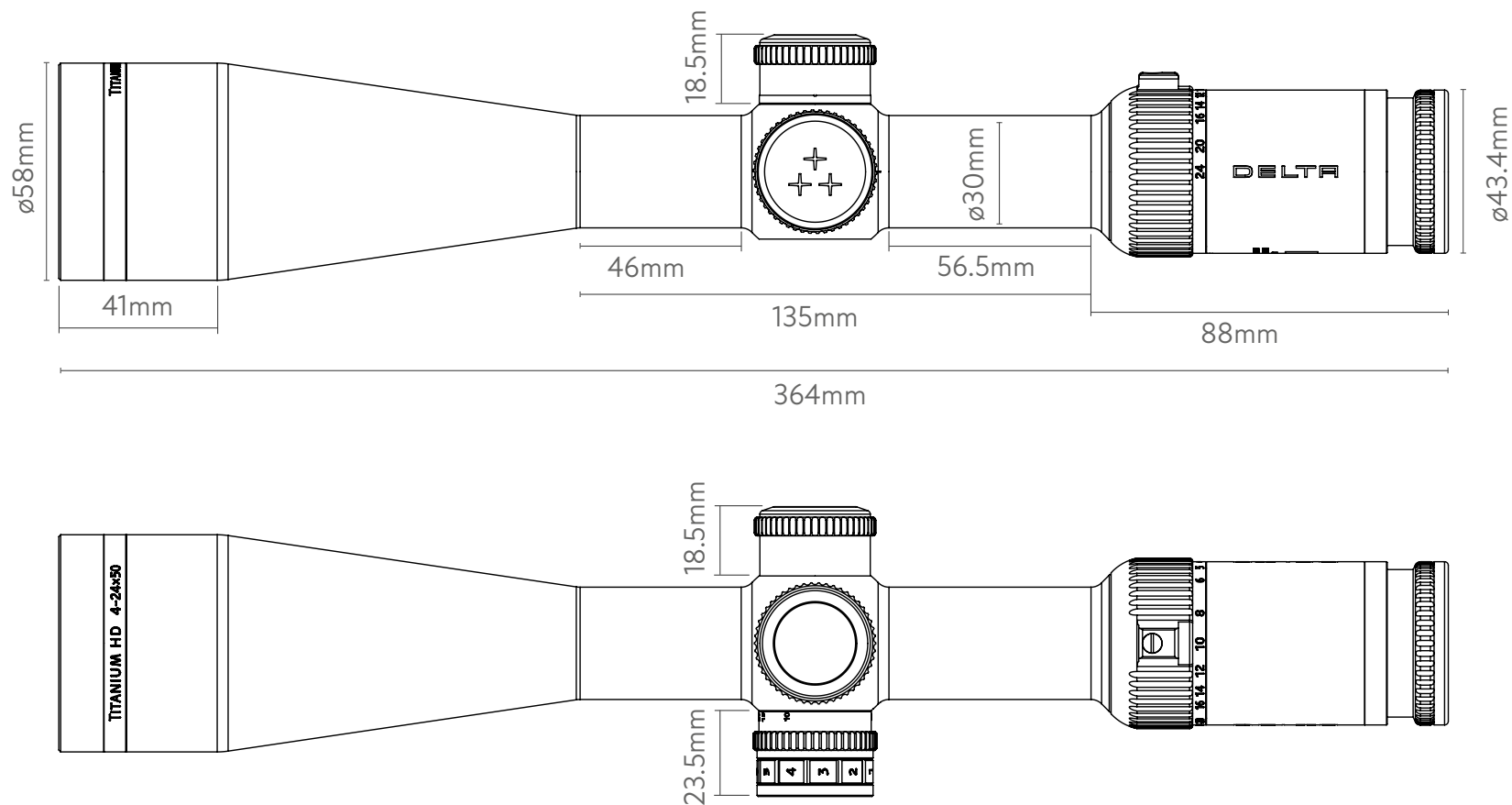
Turret Change
How-To Video



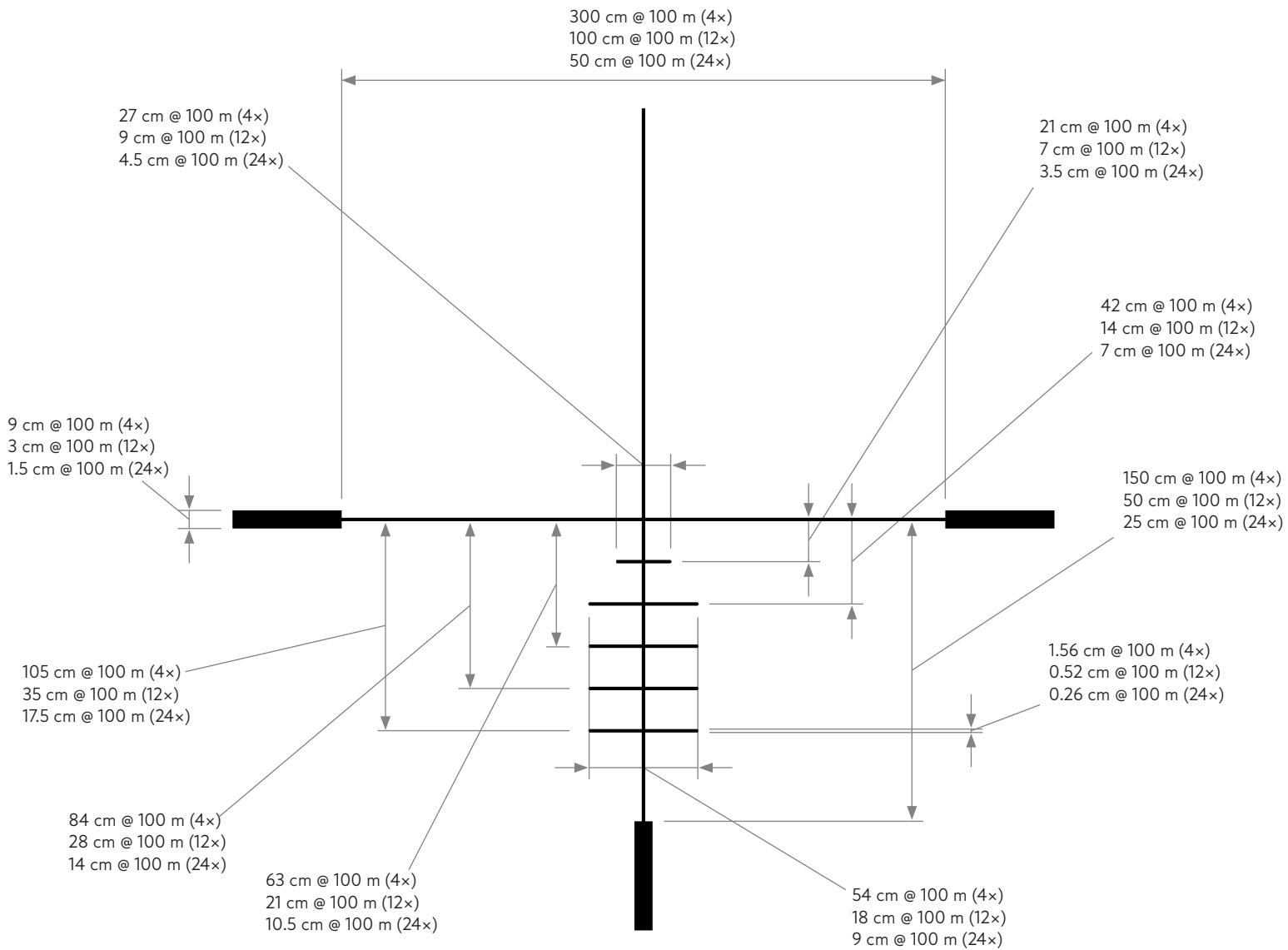
THE AIM IS OPTICAL PERFECTION

TITANIUM HD
4-24x50 SFP

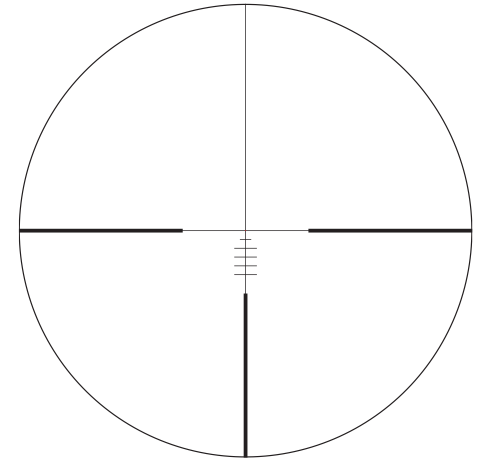
With easy change turrets



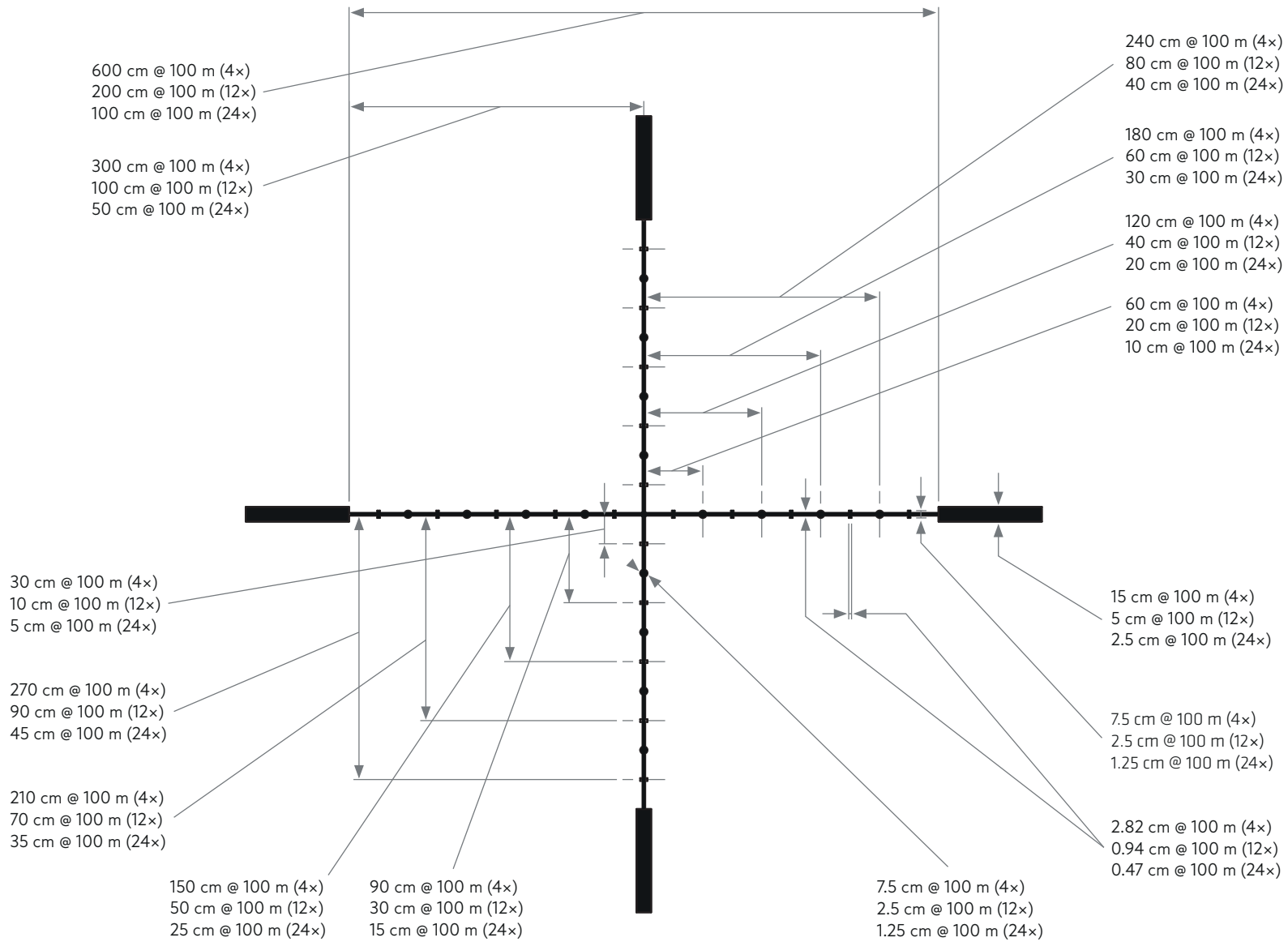
THE AIM IS OPTICAL PERFECTION



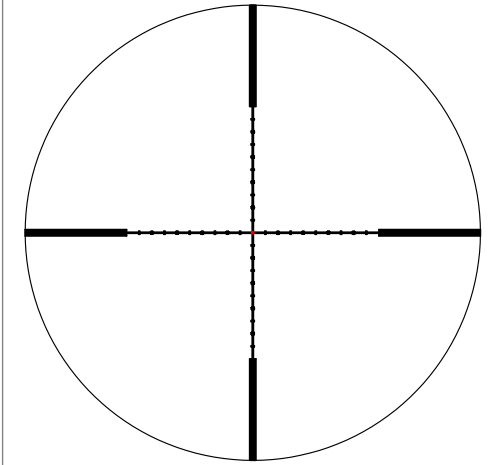
4A SB (MRAD/MOA)



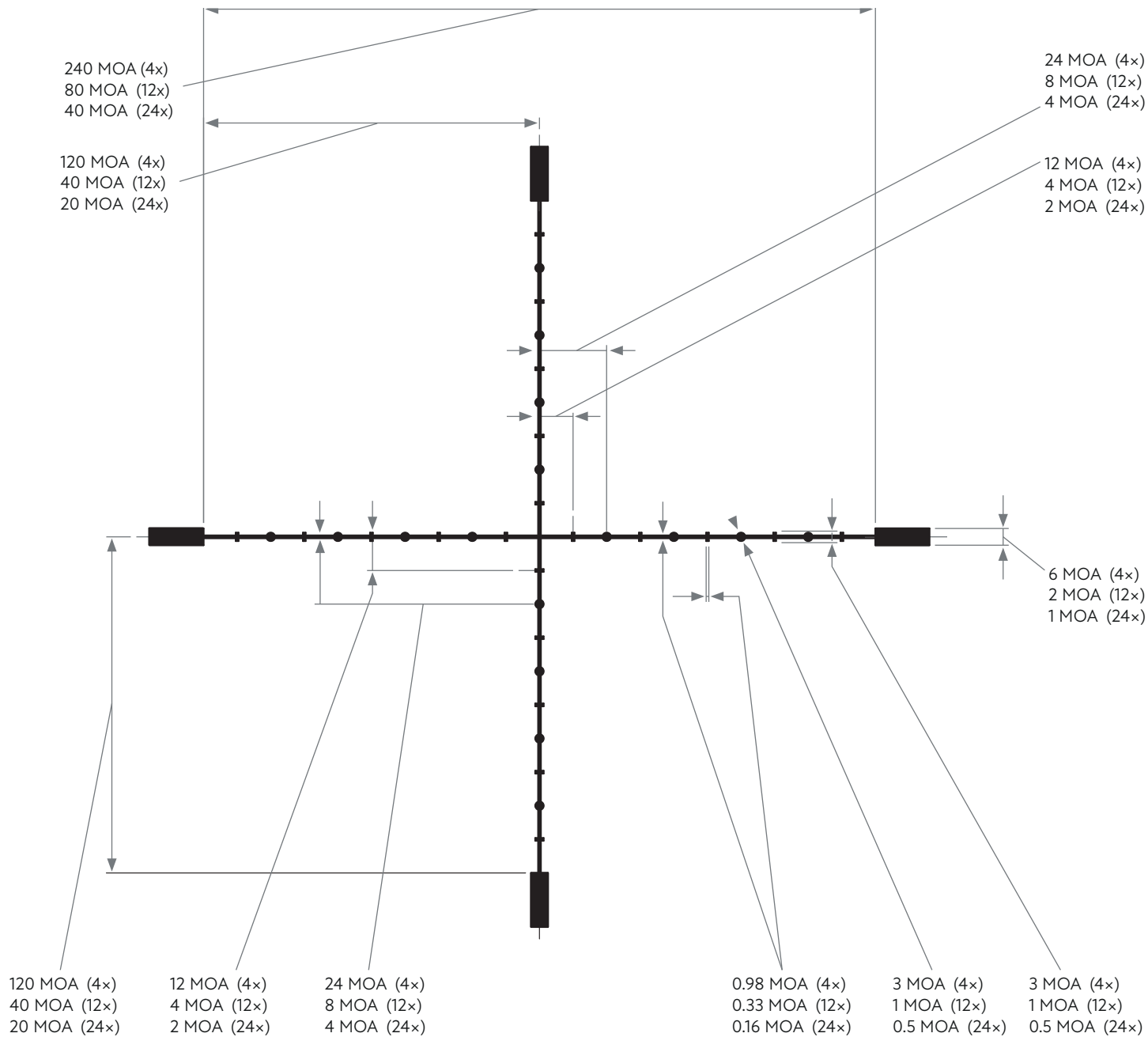
THE AIM IS OPTICAL PERFECTION



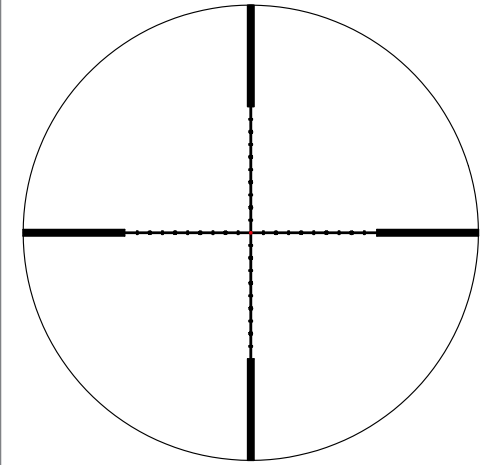
Di MD (MRAD)



THE AIM IS OPTICAL PERFECTION



Di MD (MOA)



THE AIM IS OPTICAL PERFECTION