

TITANIUM HD

2.5-15x56

Excellent in low light. Wide field of view.



Thank you for considering this precision optical equipment.

Delta Optical spółka z ograniczoną odpowiedzialnością sp.k.
Nowe Osiny, ul. Piękna 1, 05-300 Mińsk Mazowiecki, Poland
TEL +48 25 786 0520 | FAX +48 25 759 2995
BetterForever@deltaoptical.eu | DeltaOptical.eu



THE AIM IS OPTICAL PERFECTION

TITANIUM HD
2.5-15x56

with 2D: SKU DO-2457
 with 4A S: SKU DO-2453
 with 4A SB: SKU DO-2454

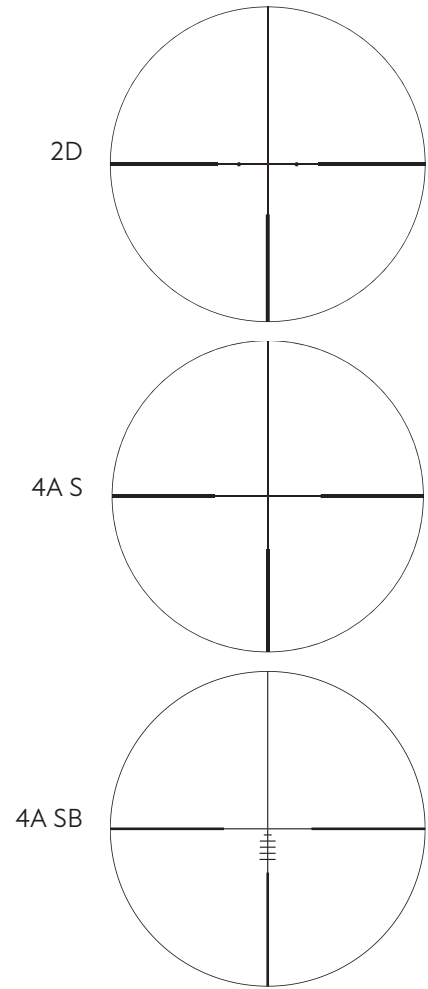


High-contrast
 HD optics

Excellent
 in twilight

Long-distance precision
 plus wide field of view
 at low magnification

Large exit pupil for fast
 target acquisition and
 stable image



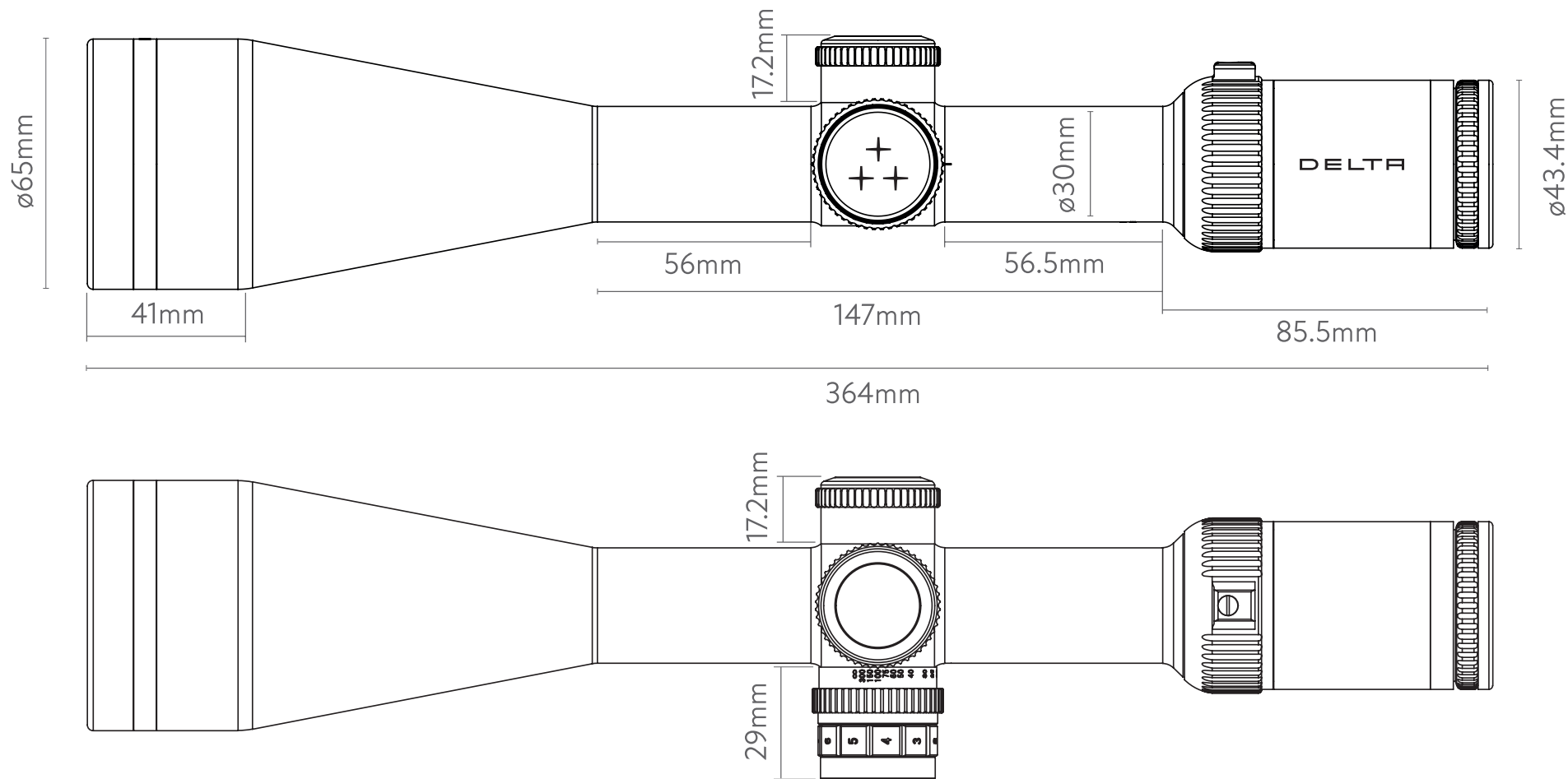
Turrets	Capped
Magnification Range	2.5x – 15x
Objective Diameter	56mm
Field of View @ 100m	14.4m – 2.5m
Exit Pupil Diameter	11.6 – 3.7mm
Eye Relief	98 – 99mm
Water Proof (N2)	0.3kg/cm ²
Reticle Position	2nd focal plane
Illumination	Dot
Per Click	1/4MOA
Elev Adj Range	50MOA
Wind Adj Range	50MOA
Parallax Adjustment	15m – ∞
Tube Diameter	30mm
Length	364mm
Weight	780g
Warranty	10 years

Parallax adjustment dial alongside
 illuminated reticle brightness dial.

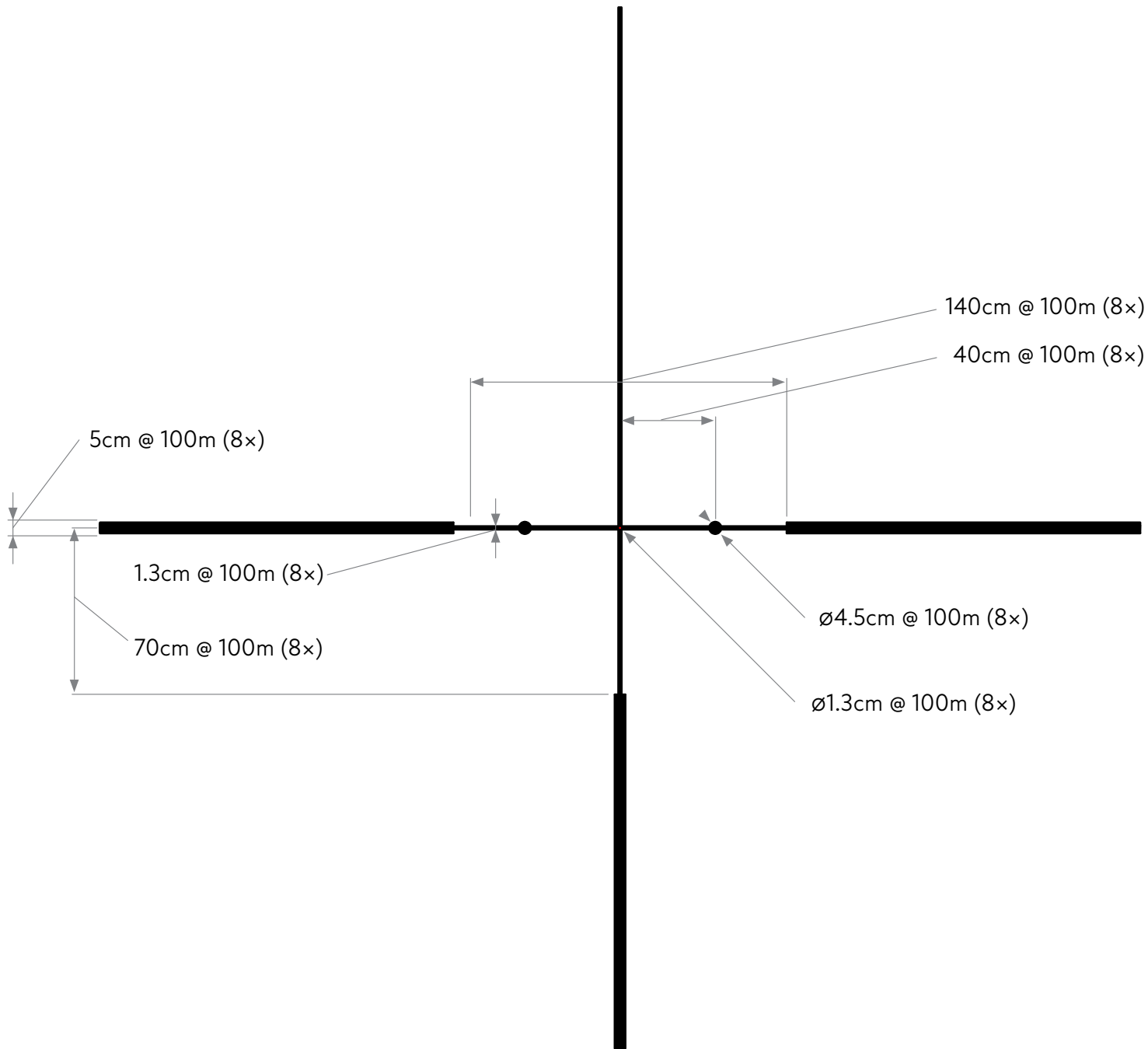


THE AIM IS OPTICAL PERFECTION

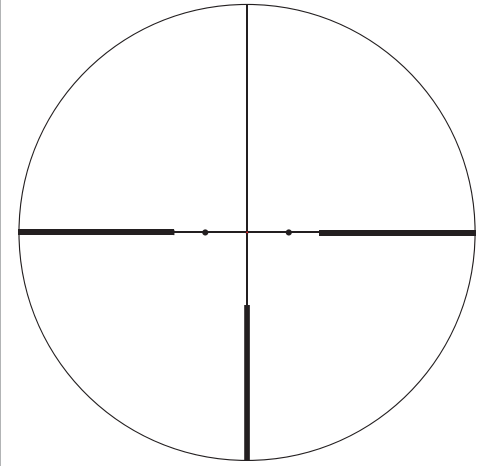
TITANIUM HD
2.5-15x56



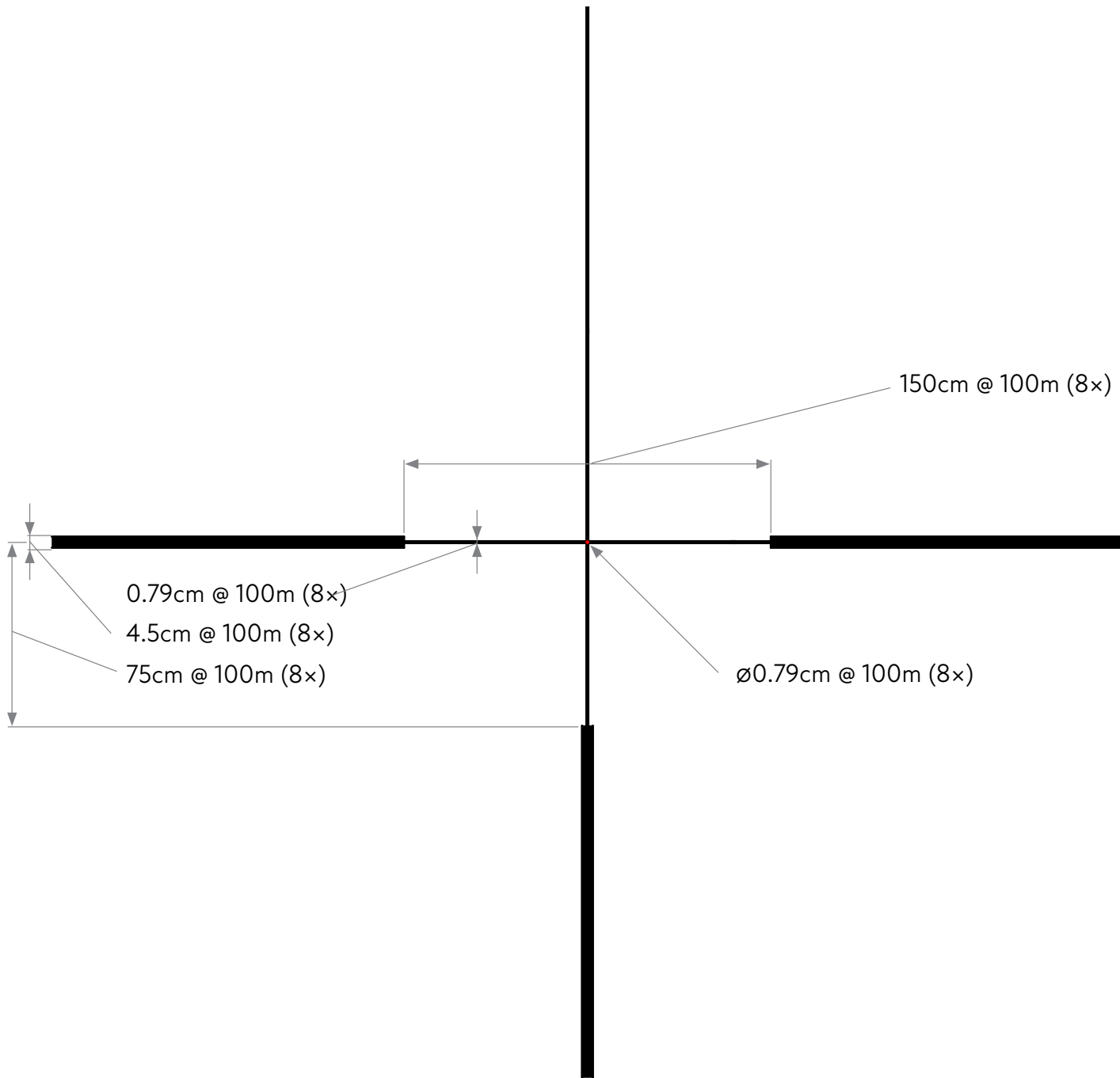
THE AIM IS OPTICAL PERFECTION



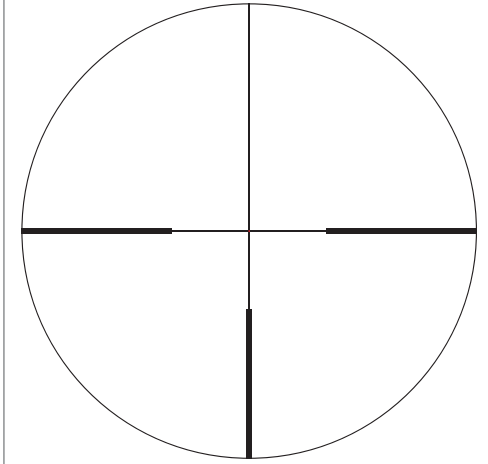
2D



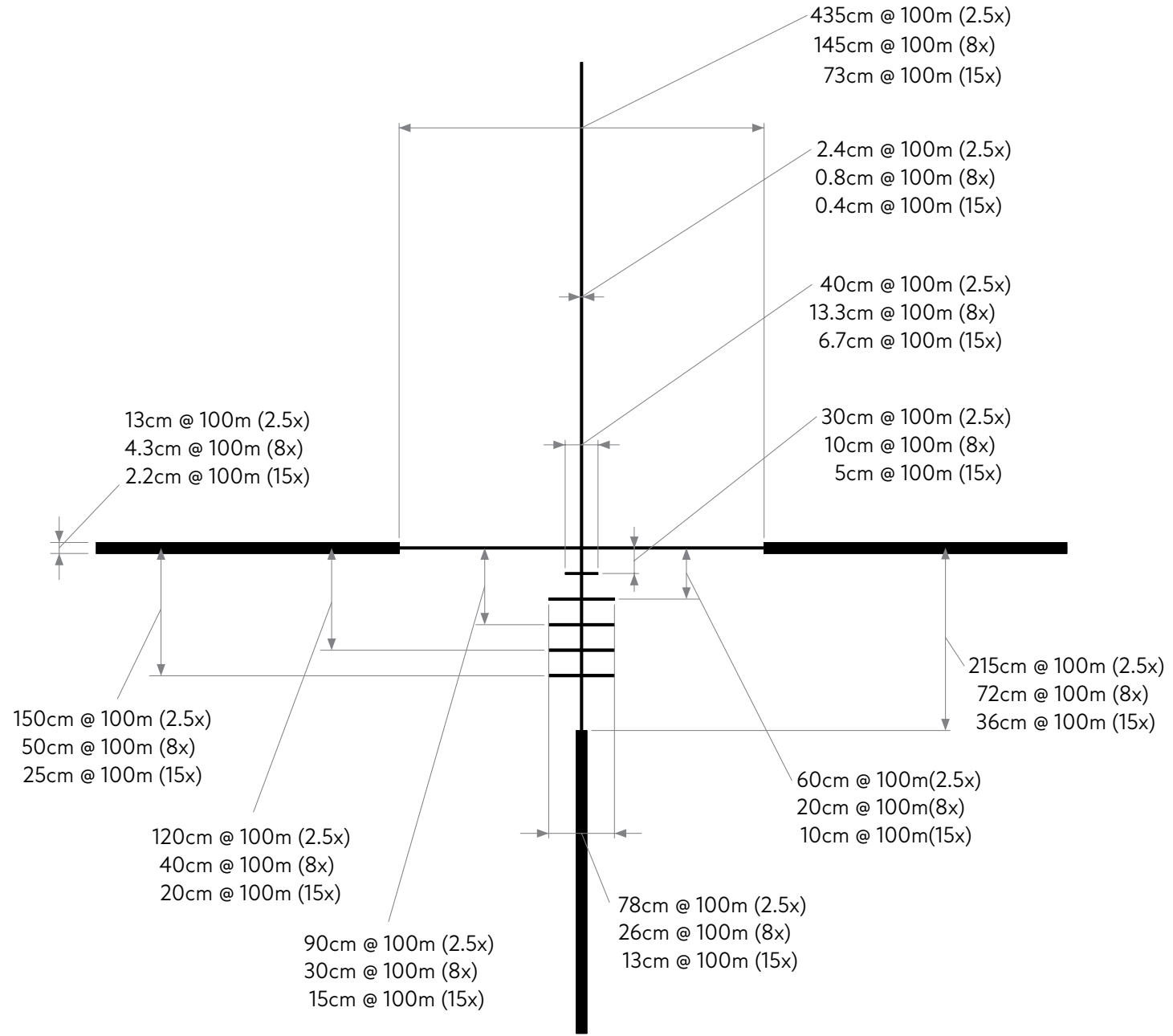
THE AIM IS OPTICAL PERFECTION



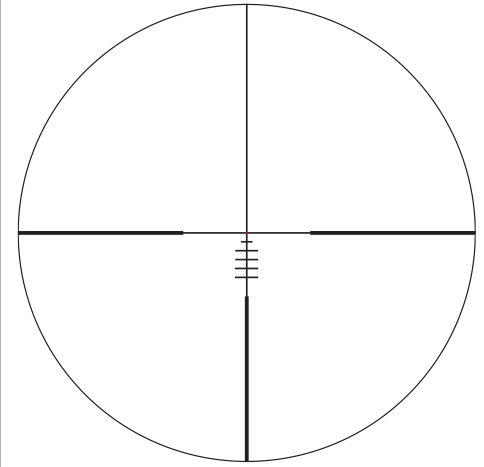
4AS



THE AIM IS OPTICAL PERFECTION



4A SB



THE AIM IS OPTICAL PERFECTION