

STRYKER HD

# 1-6x24 SFP

Tool-free zeroing. After zeroing raise turret dial, align with Zero and push back down to lock.



Thank you for considering this precision optical equipment.

Delta Optical spółka z ograniczoną odpowiedzialnością sp.k.  
Nowe Osiny, ul. Piękna 1, 05-300 Mińsk Mazowiecki, Poland  
TEL +48 25 786 0520 | FAX +48 25 759 2995  
BetterForever@deltaoptical.eu | DeltaOptical.eu



THE AIM IS OPTICAL PERFECTION

STRYKER HD  
**1-6x24 SFP**

with DSMR : SKU DO-2520  
 with DGMR : SKU DO-2521



Capped low profile turrets prevent unintended changes in windage and elevation.

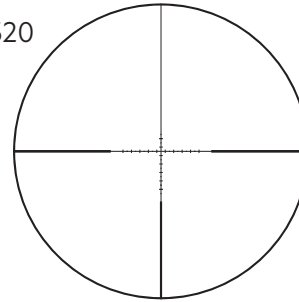
Daylight visible illuminated dot.

Wide field of view (35,6m/100m on 1x)

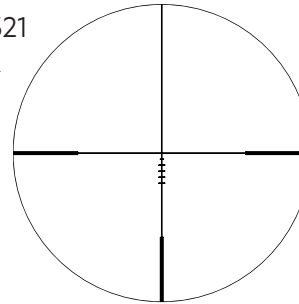
Ideal for AR pattern rifles in competition.

Combines target tracking and speed of a reflex sight with precision of a riflescope.

SKU DO-2520  
 with DSMR  
 MRAD @ 6x



SKU DO-2521  
 with DGMR  
 MRAD @ 6x



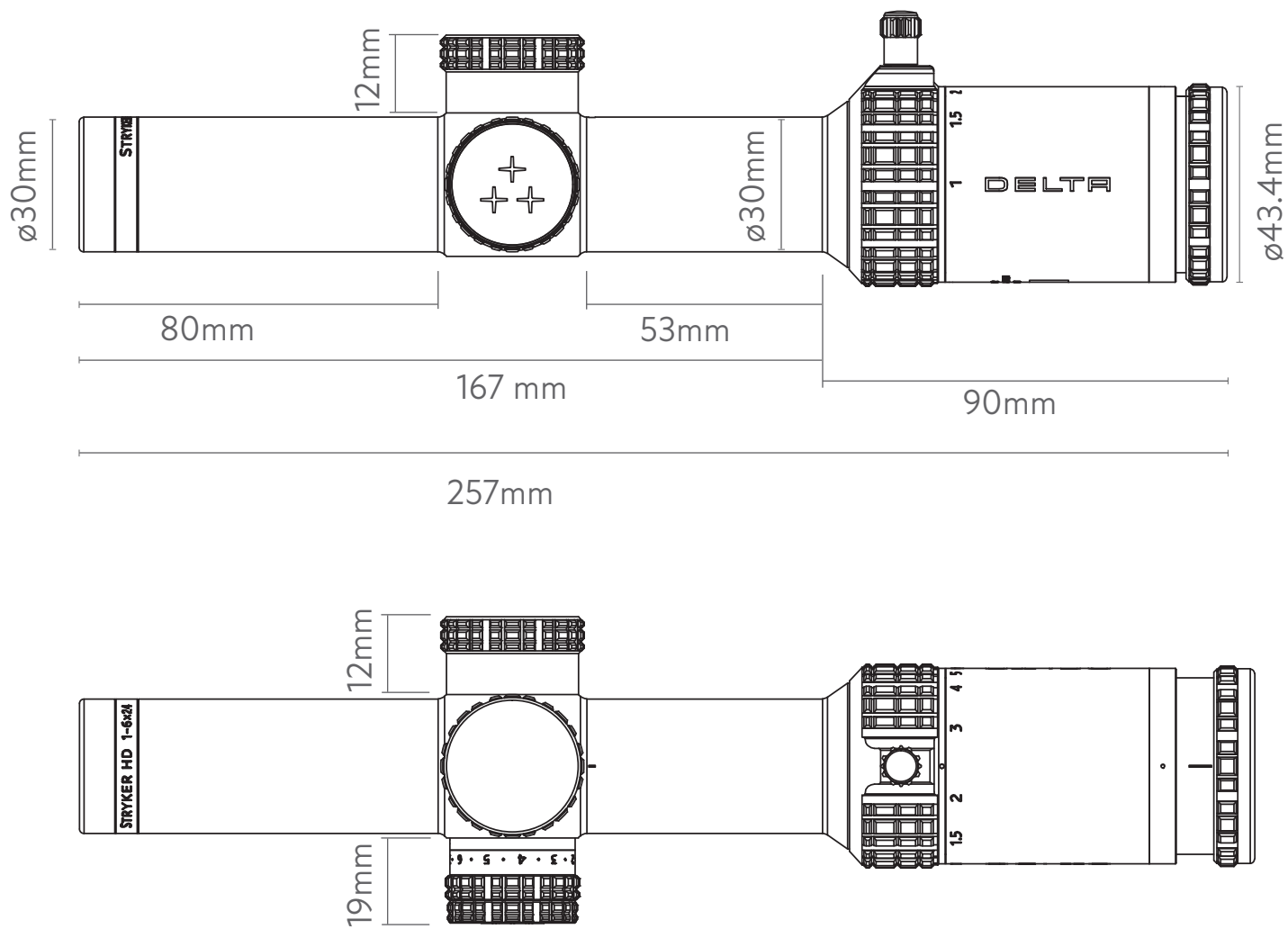
Included: Throw Lever.

Magnification Range	1x – 6x
Objective Diameter	24mm
Field of View @ 100m 1x	35.6m
Field of View @ 100m 6x	5.9m
Eye Relief	86 – 104mm
Diopter Range	-2D/+3D
Water Proof (N2)	0.3kg/cm <sup>2</sup>
Reticle Position	2nd focal plane
Illumination	Dot
Per Click	0.1mrad
Elev Adj Range	30mrad
Wind Adj Range	30mrad
Tube Diameter	30mm
Length	256mm
Weight	508g
Warranty	10 years



THE AIM IS OPTICAL PERFECTION

STRYKER HD  
**1-6x24 SFP**

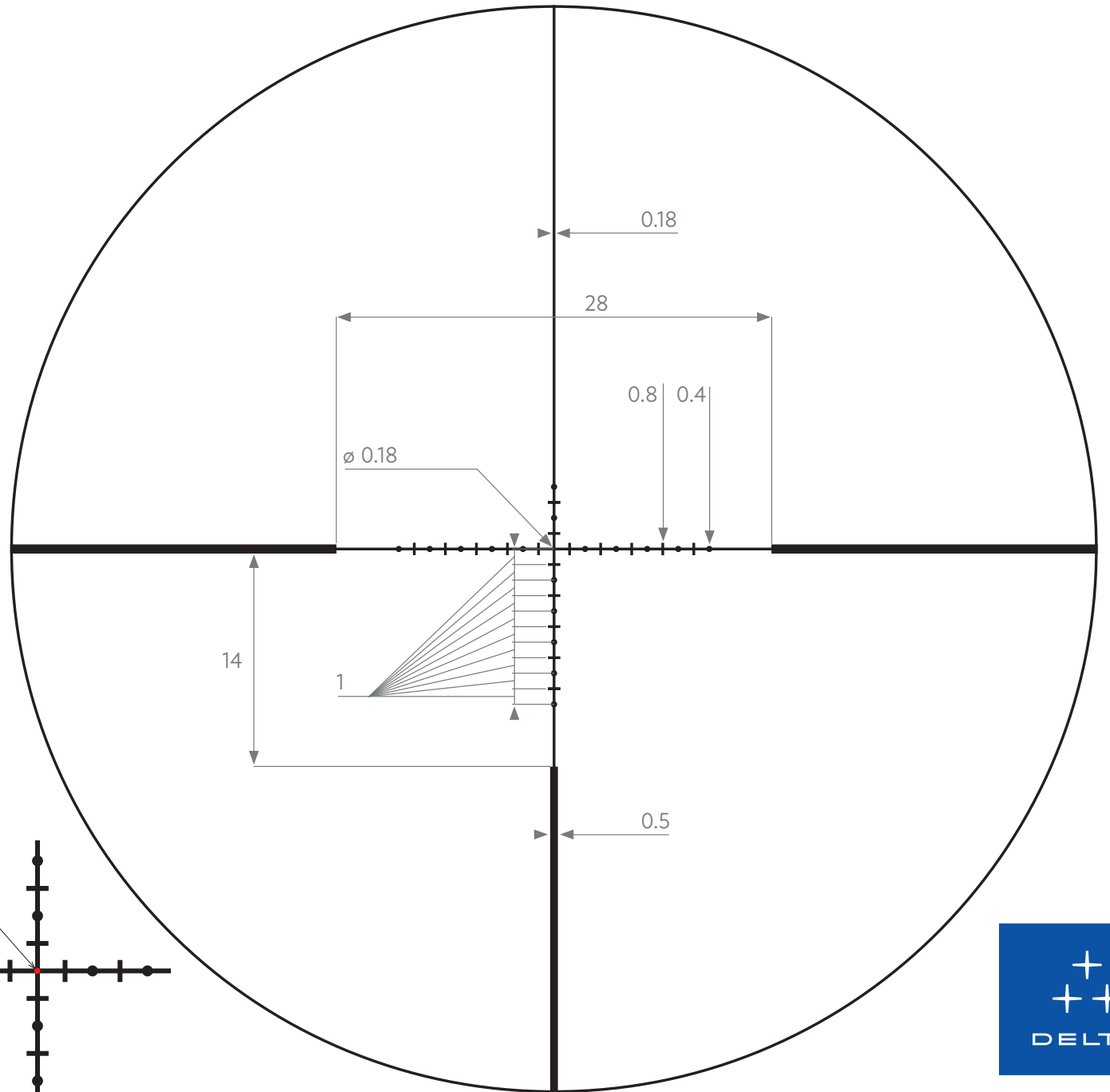
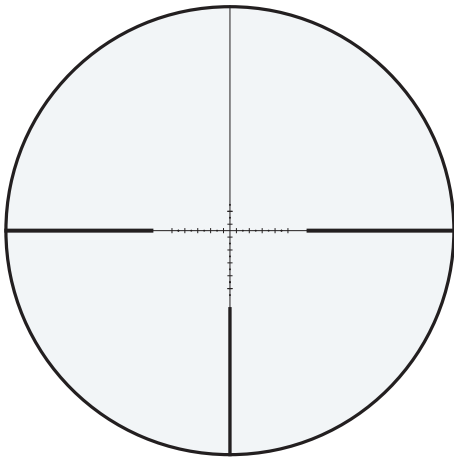


THE AIM IS OPTICAL PERFECTION

## DSMR

Illuminated center dot ensures rapid target acquisition at any distance and in any light.

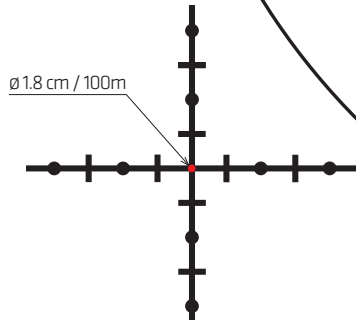
Positioned in the second focal plane – providing consistent reticle size at any magnification as the size of the target changes.



## DSMR MRAD @ 6x

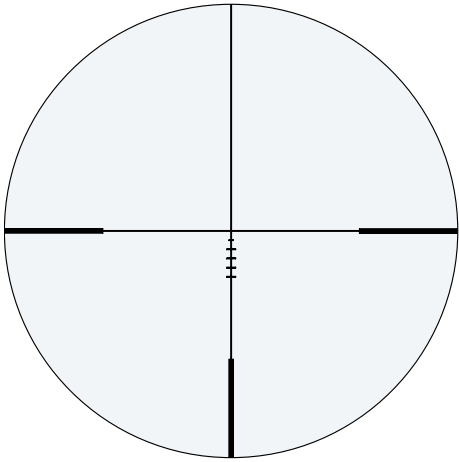
When set on 6x, each reticle subtension is equal to 1mrad enabling quick trajectory and lead compensation along with distance estimation.

Central aiming dot covers only 1.8cm of the target at 100m (0.18mrad).



## DGMR

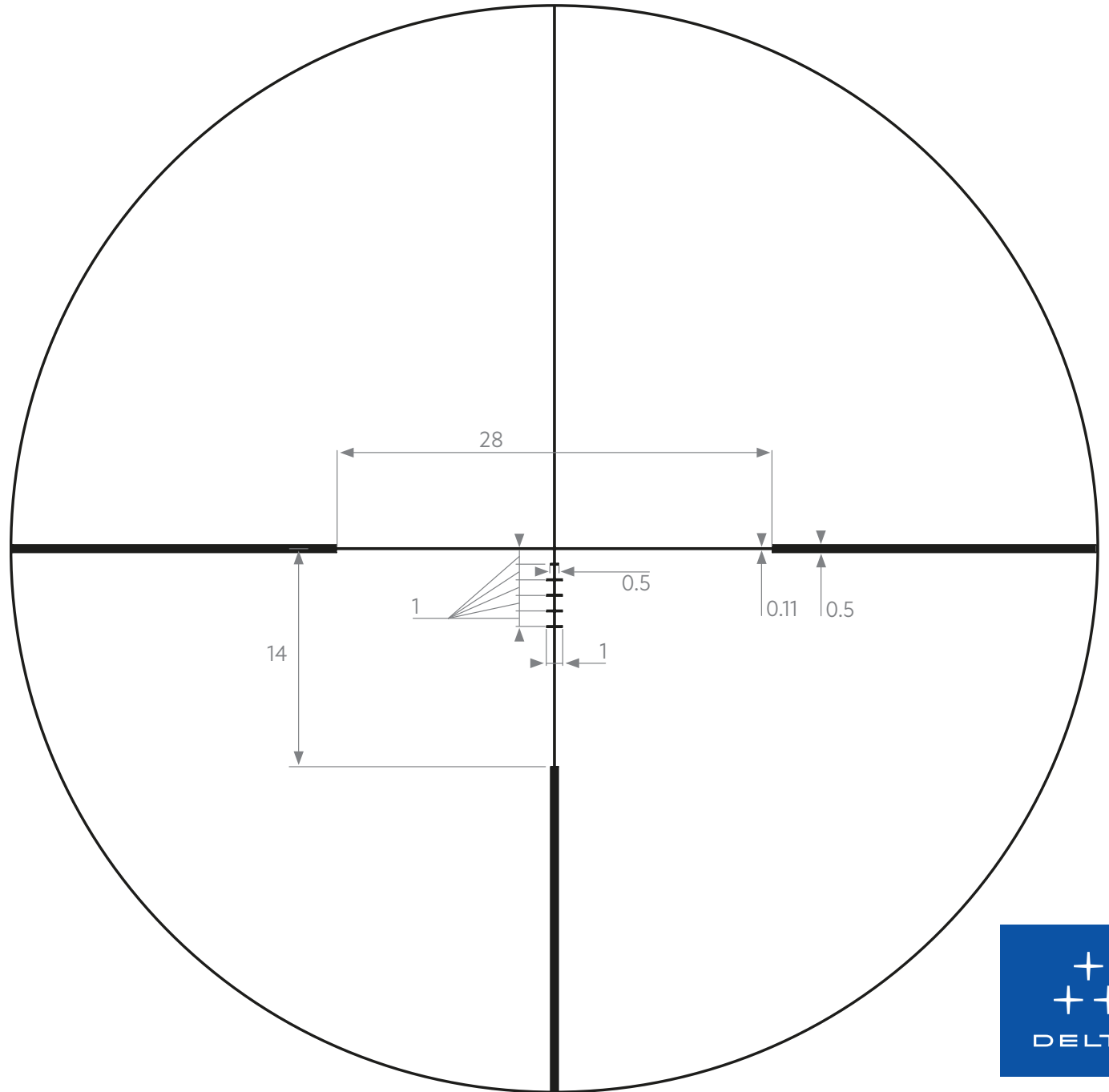
DGMR is a simplified version of the DSMR reticle containing only markers for ballistics correction.



## DGMR MRAD @ 6x

When set on 6x, each reticle subtension is equal to 1mrad enabling quick trajectory and lead compensation along with distance estimation.

Central aiming dot covers only 1.1cm of the target at 100m (0.11mrad).



THE AIM IS OPTICAL PERFECTION