

STRYKER HD

4.5-30x56

FFP

Compact tactical instrument



Thank you for considering this precision optical equipment.

Delta Optical spółka z ograniczoną odpowiedzialnością sp.k.  
Nowe Osiny, ul. Piękna 1, 05-300 Mińsk Mazowiecki, Poland  
TEL +48 25 786 0520 | FAX +48 25 759 2995  
BetterForever@deltaoptical.eu | DeltaOptical.eu



THE AIM IS OPTICAL PERFECTION

STRYKER HD

# 4.5-30x56 FFP

with LRD-1T : SKU DO-2500  
with LRD-1P: SKU DO-2501  
with DLR-1: SKU DO-2502

High-end  
multi-layer  
anti-reflective  
coatings

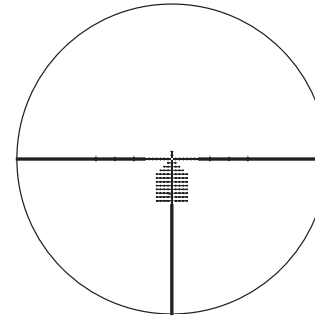
Locking  
turrets

Tool-free  
zeroing

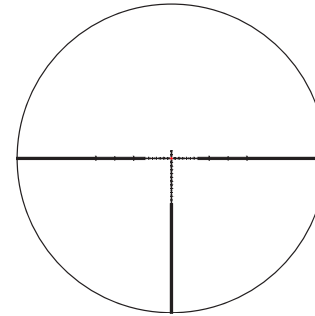


34mm tube.  
Vertical adjustment  
up to 300cm @100m

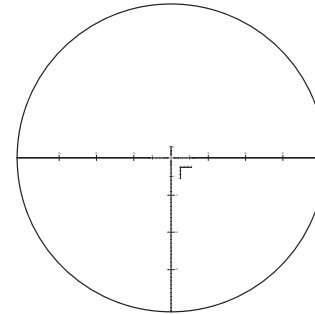
LRD-1T  
MRAD @ 4.5X



LRD-1P  
MRAD @ 4.5X



DLR-1  
MRAD @ 4.5X



Included in the box: Throw Lever, Sunshade.



Magnification Range	4.5x – 30x
Objective Diameter	56mm
Field of View @ 100m 4.5x	8.3m
Field of View @ 100m 30x	1.2m
Eye Relief	81 – 97mm
Diopter Range	-2D/+3D
Water Proof (N2)	0.3kg/cm <sup>2</sup>
Reticle Position	1st focal plane
Illumination	Dot + Cross*
Per Click	0.1mrad
Elev Adj Range	30mrad
Wind Adj Range	15mrad
Parallax Adjustment	23m – ∞
Zero-Stop	YES
Tube Diameter	34mm
Length	358mm
Weight	1002g
Warranty	10 years

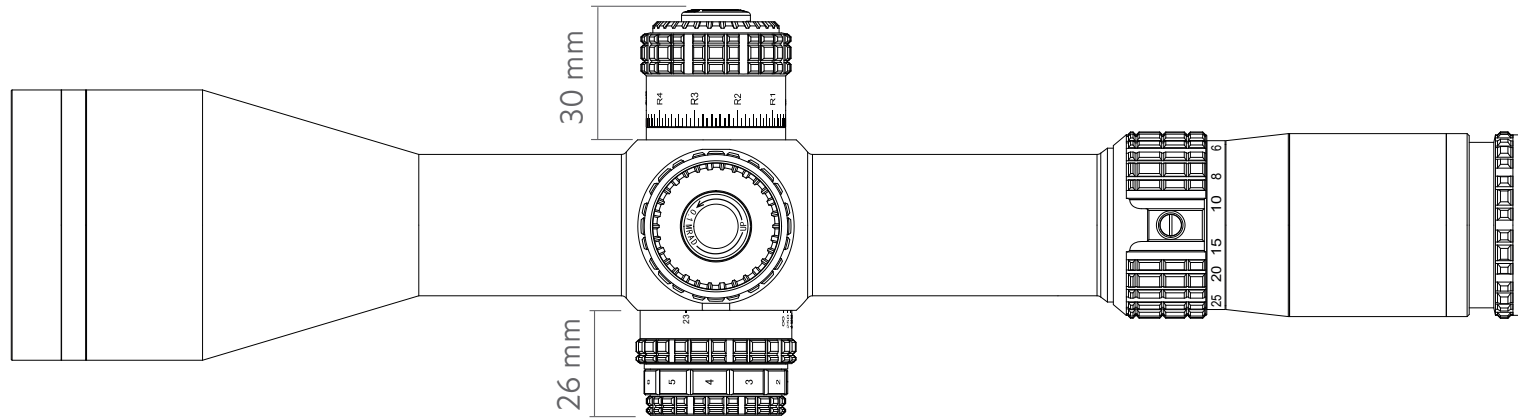
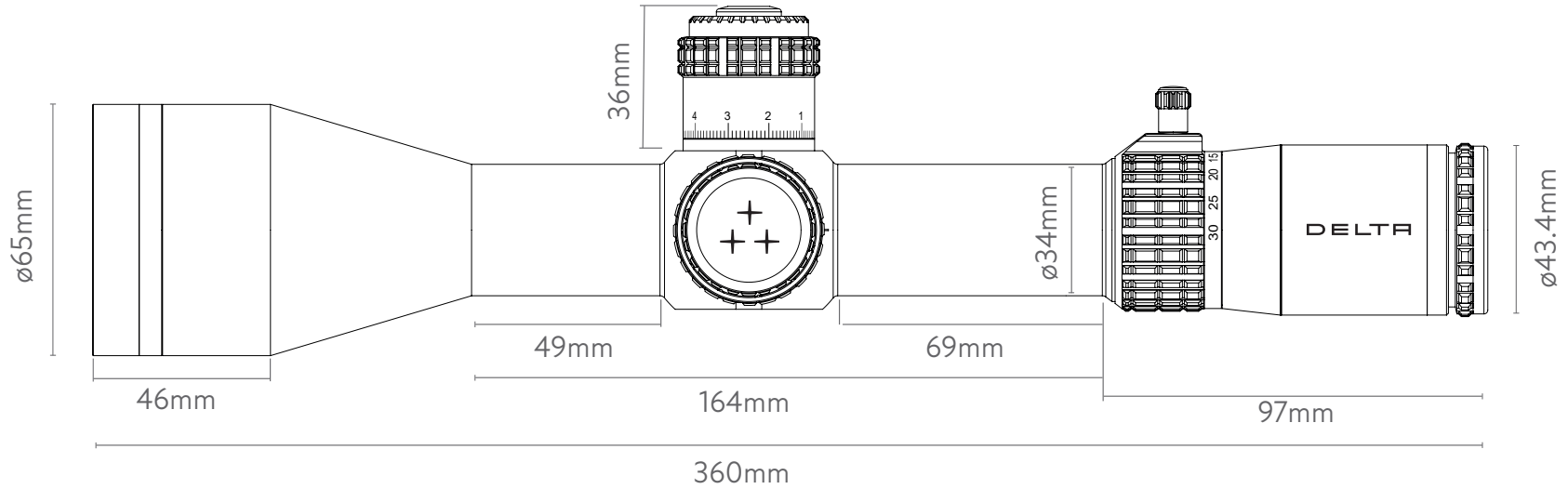
\*With Reticle DLR-1, illumination Dot only



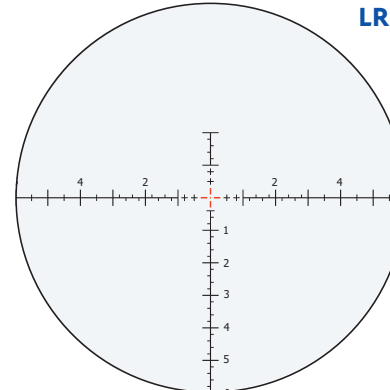
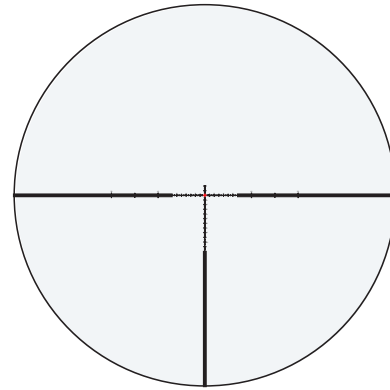
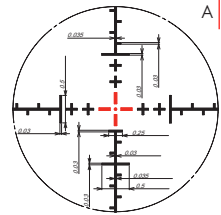
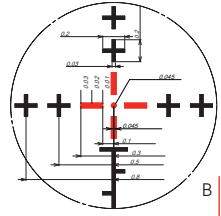
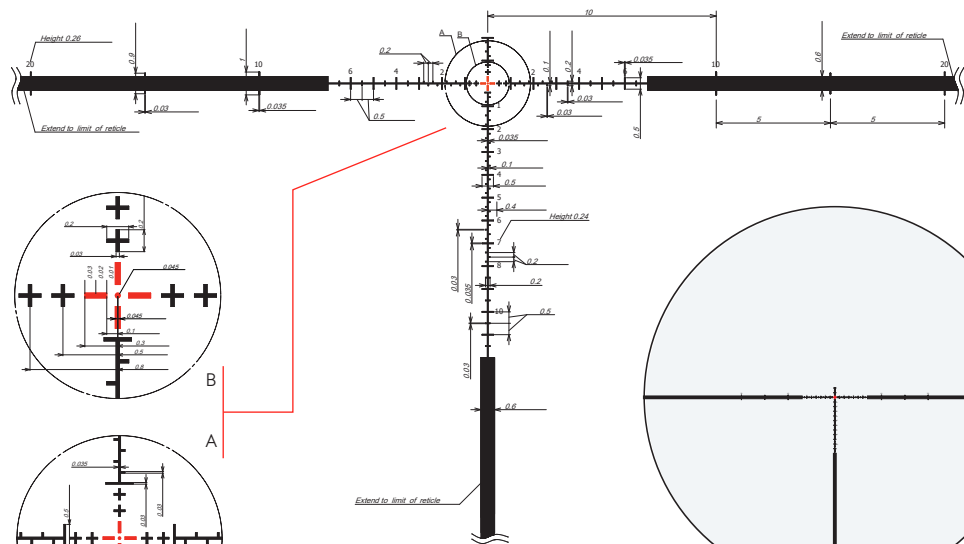
THE AIM IS OPTICAL PERFECTION

STRYKER HD

# 4.5-30x56 FFP



THE AIM IS OPTICAL PERFECTION



LRD-1P

## LRD-1T / LRD-1P

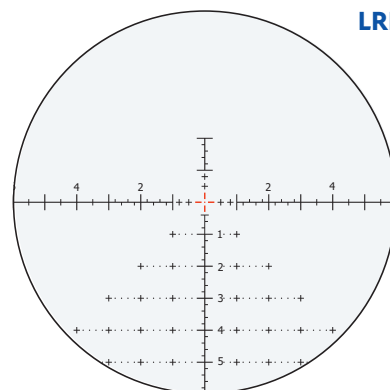
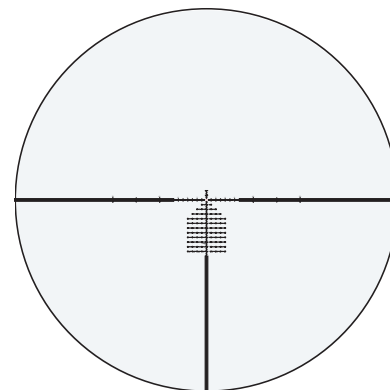
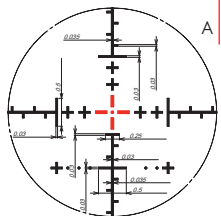
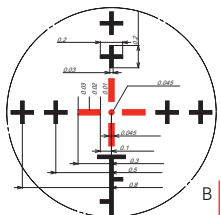
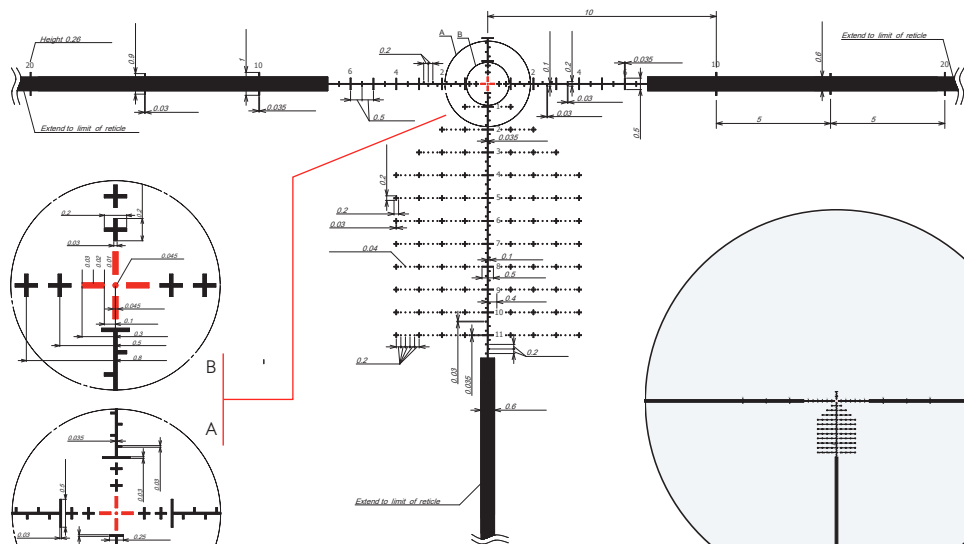
Designed in Sweden by Peder Westman (Longrangedesign.com). Quick range determination, accurate windage corrections and moving target leads. Fast holdovers at low magnifications. All included in PRS tactical solution for serious shooters.

The reticle centre is an illuminated 0.045mrad target point with surrounding illuminated markings that form the crosshair.

MRAD-based subtension lines for ranging, holdover and windage corrections. Extra fine line thickness (0.03mrad) inside 1.0mrad from centre, for better ranging and aiming possibilities at long ranges.

Fast 0.1mrad correction from centre of the reticle, with accuracy down to 0.05mrad.

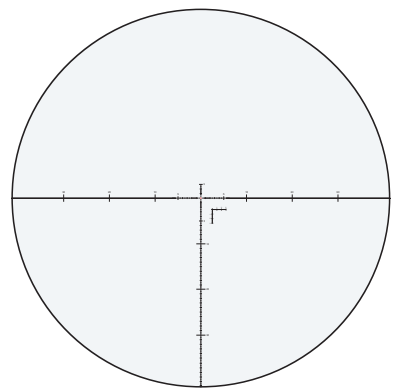
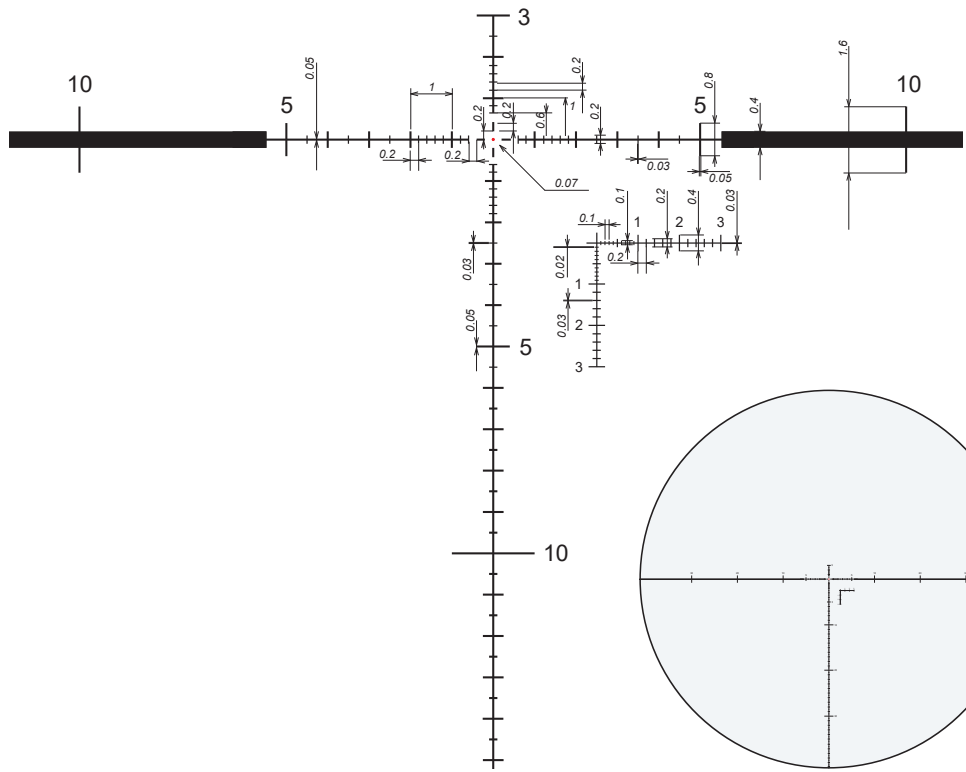
Wind corrections with 0.1mrad accuracy from centre of the reticle for the first MRAD.



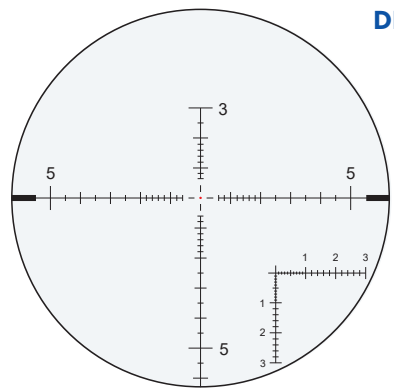
LRD-1T

## LRD-1T

Enables fast, accurate wind corrections and easy holdover. When no time for dialling turrets the consistent 0.2mrad graduations enable fast and accurate point of aim corrections.



Field of View @ 4.5x



Field of View @ 30x

**DLR-1**

**DLR-1**

Central illuminated dot has a diameter of 0.07mrad. Thin crosshairs 0.05mrad with thick 0.4mrad posts. Crosshairs divided by special markings into lengths of 0.2/0.5/1mrad. Useful additional ranging scale allows for accurate measurement of the target in the upper magnification range with accuracy of up to 0.1mrad.

