

STRYKER HD

# 3.5-21x44 FFP

Highest quality ED Glass | Short and lightweight



Thank you for considering this precision optical equipment.

Delta Optical spółka z ograniczoną odpowiedzialnością sp.k.  
Nowe Osiny, ul. Piękna 1, 05-300 Mińsk Mazowiecki, Poland  
TEL +48 25 786 0520 | FAX +48 25 759 2995  
BetterForever@deltaoptical.eu | DeltaOptical.eu



THE AIM IS OPTICAL PERFECTION



STRYKER HD

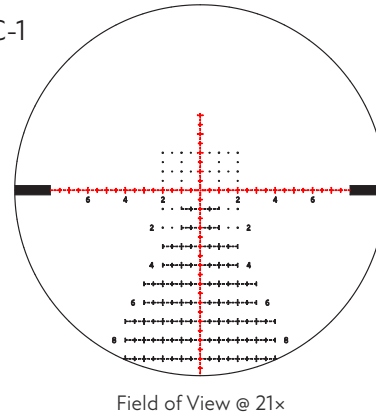
# 3.5-21x44 FFP

with DPRC-1 : SKU DO-2514

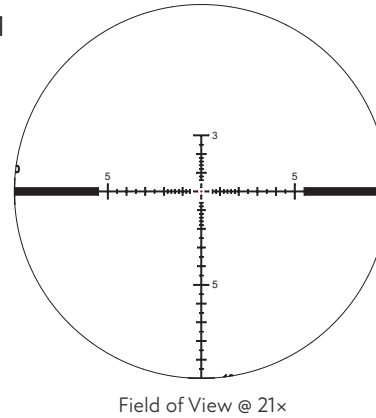
with DLR-1 : SKU DO-2515



DPRC-1  
MRAD

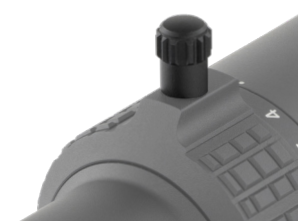


DLR-1  
MRAD



Magnification Range	3.5x - 21x
Objective Diameter	44mm
Field of View @ 100m	11.1m - 1.9m
Eye Relief	71-99mm
Diopter Range	-3D/+3D
Water Proof (N2)	0.3kg/cm <sup>2</sup>
Reticle Position	1st focal plane
Illumination	Dot + Cross*
Counter Clockwise	YES
Per Click	0.1mrad
Per Revolution	10mrad
Elev Adj Range	45mrad
Wind Adj Range	21mrad
Parallax Adjustment	9m - ∞
Zero-Stop	YES
Tube Diameter	34mm
Length	315mm
Weight	805g
Warranty	10 years

\* With Reticle DLR-1, illumination Dot only

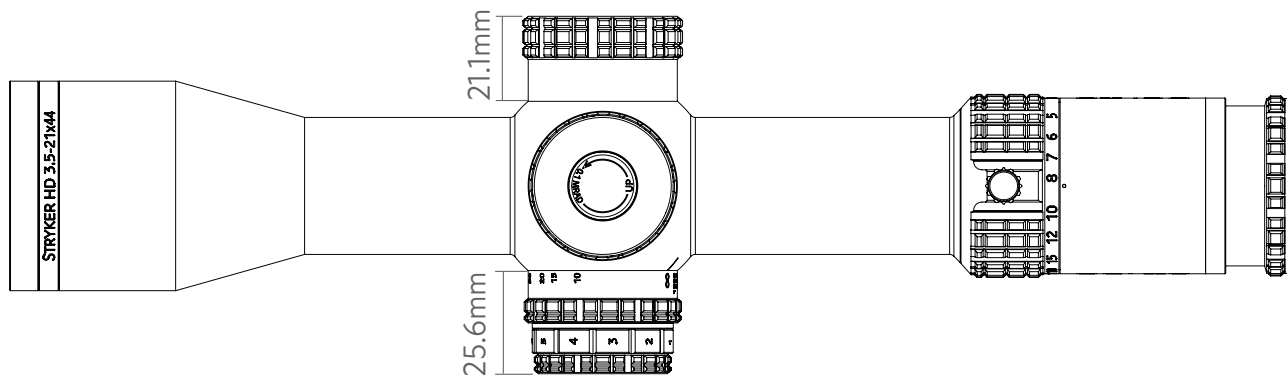
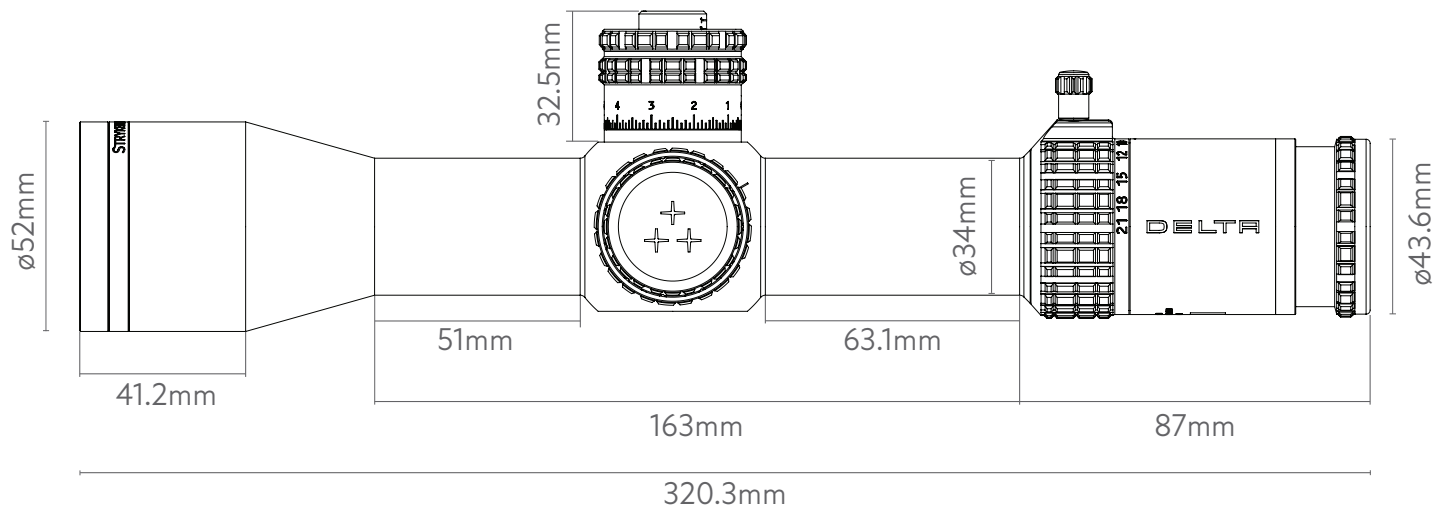


Included: Throw Lever.



THE AIM IS OPTICAL PERFECTION

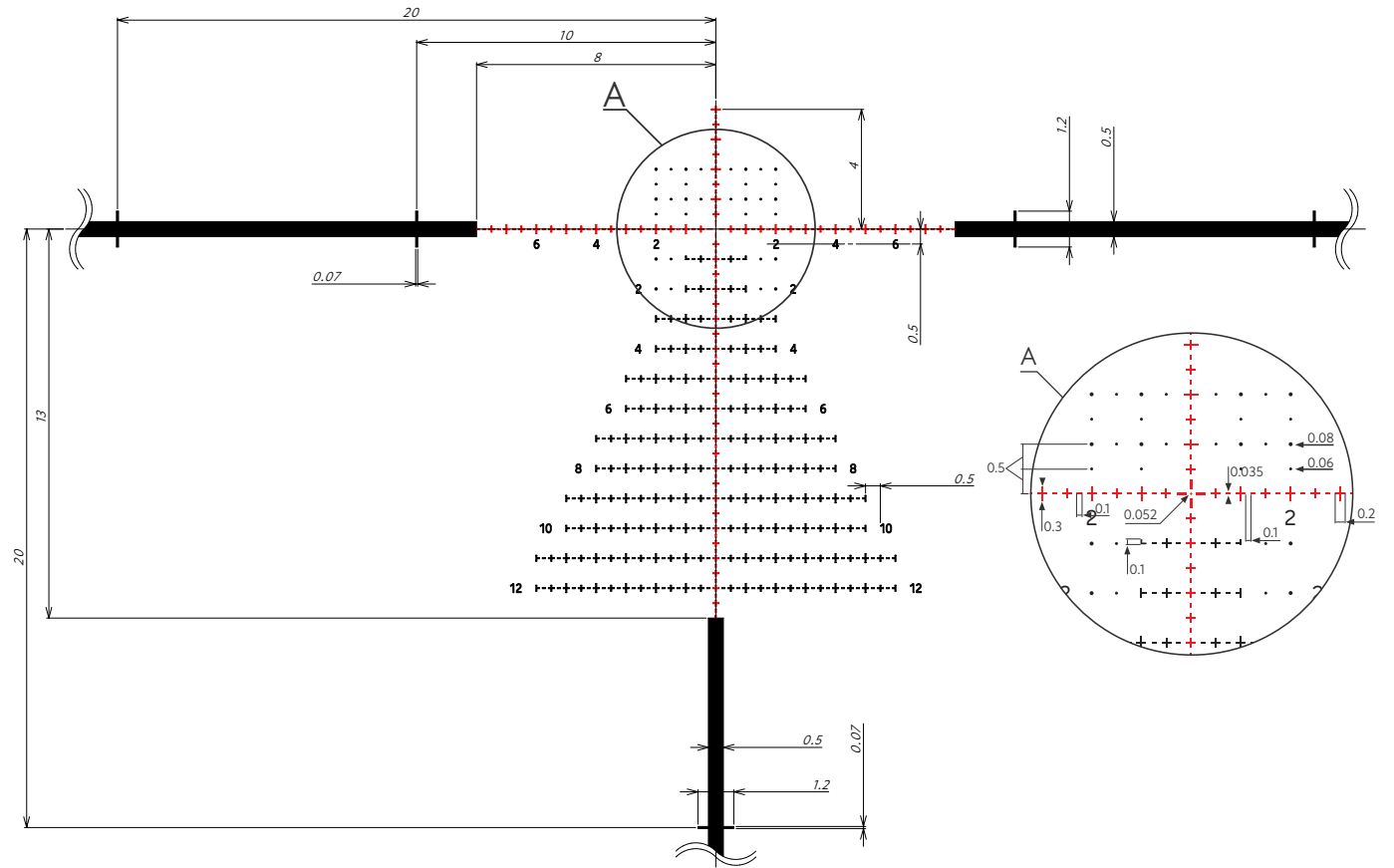
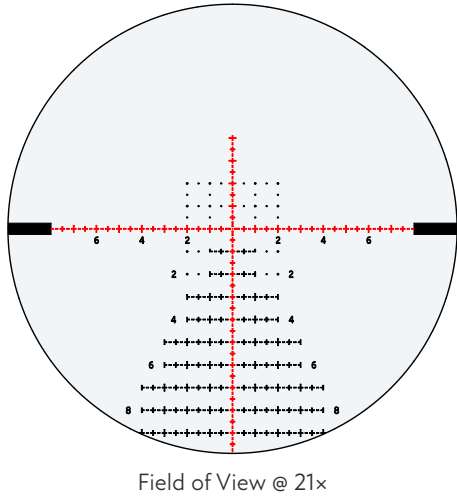
STRYKER HD  
**3.5-21×44 FFP**



THE AIM IS OPTICAL PERFECTION

# DPRC-1

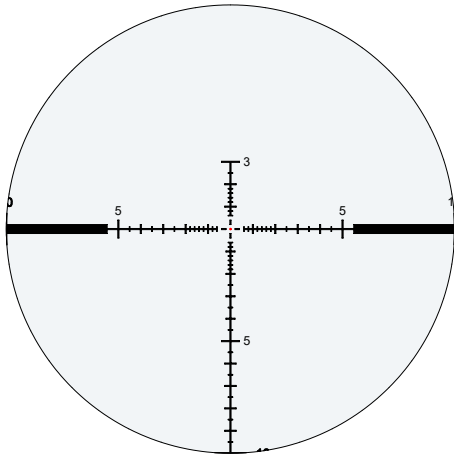
Unique markers every 0,1mrad. Main markers every 0,5mrad.  
12mrad Christmas tree. Full reticle illuminated.  
Allows PBR strings in PRS.



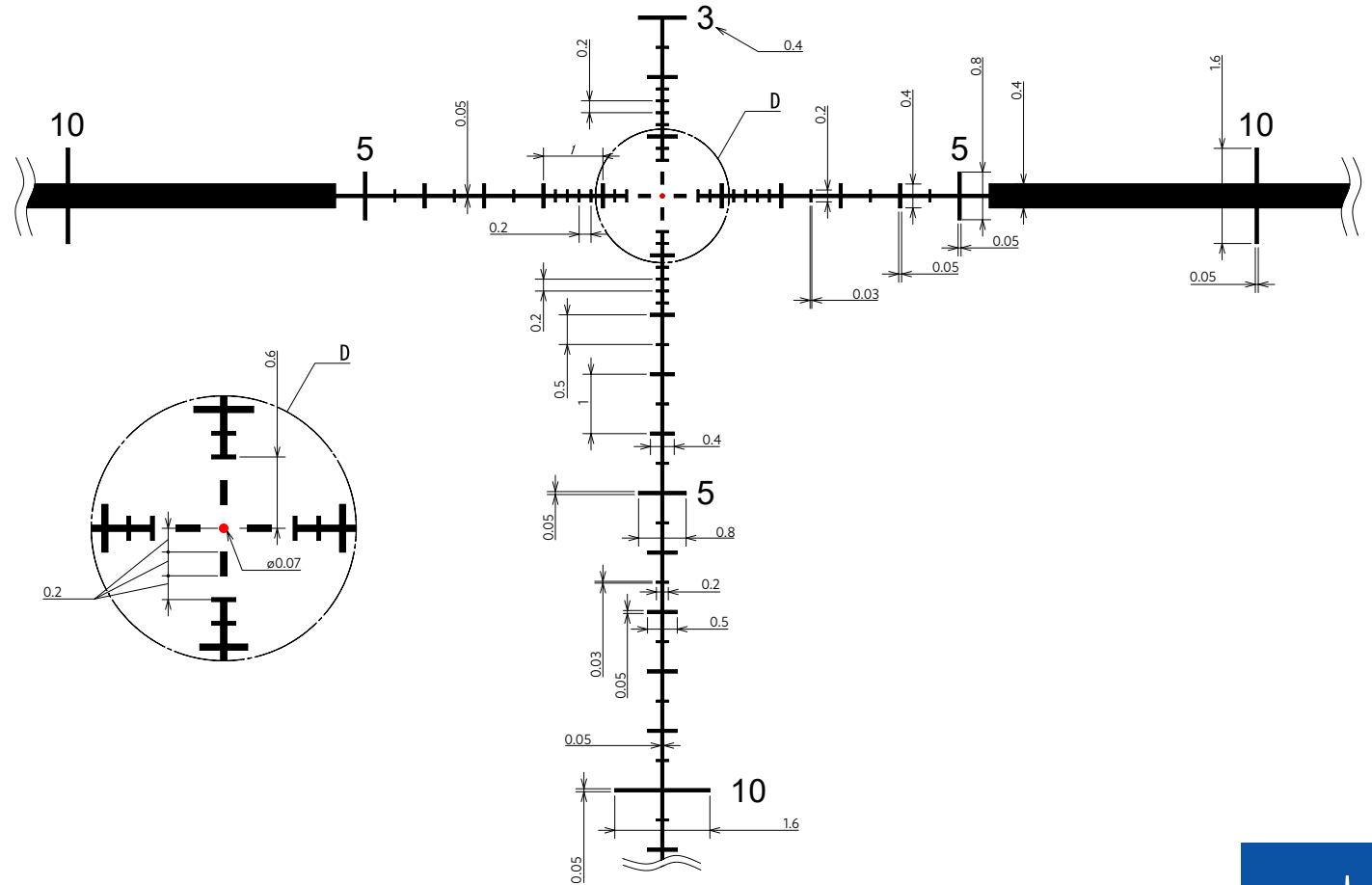
THE AIM IS OPTICAL PERFECTION

## DLR-1

Central illuminated dot has a diameter of 0.07mrad. Thin cossairs 0.05mrad with thick 0.4mrad posts. Crosshairs divided by special markings into lengths of 0.2/0.5/1mrad. For hunters and long range shooters.



Field of View @ 21x



THE AIM IS OPTICAL PERFECTION